



Friction Premium

KIT CALIPER



SEGURIDAD EN TU CAMINO



Friction Premium

KIT PARA FRENO



Friction Premium

DISCO DELANTERO

CHRYSLER

CODIGO	APLICACION		
RW-CR604	HYUNDAI ATOS 97-05 H100 DIESEL 06-07 7X37-F138 7Y38-F278	136	1
RW-CR604B	HYUNDAI ATOS DISCO 02-06 VENTILADO 7Y02-F208	136	2
RW-CR604A	HYUNDAI H100 03-07 GRACIE PORTER 00-02 7X52-F004	136	3
RW-CR604C	HYUNDAI H100 DEISEL 06-07 7Y38-F278	136	4

DISCO TRASERA

CODIGO	APLICACION		
RW-CR442	ATTITUDE 06-07 8267-D1157	136	5

DISCO DELANTERO

GENERAL MOTORS

CODIGO	APLICACION		
RW-GM204	CHEVY 94-03 MONZA 94-07 PICK UP 99-06	137	5
RW-GM240	MATIZ 05-07 74X7-F139	137	6
RW-GM201	CHEVY VAN 96-98 SILVERADO SUBURBAN RAM 94-99 7259-D369 7260-D370	137	7

KIT PARA FRENO



Friction Premium

DISCO DELANTERO

NISSAN

CODIGO	APLICACION		
RW-NS505	PATHFINDER 96-05 INFINITI Q45 97-01 7566-D691 7566-D855	137	8
RW-NS501A	PICK UP 89-97 ICHIVAN 87-94 7170-D265 7171-D266	137	9
RW-NS501	PICK UP 93-00 URVAN 00-01 FRONTIER 98-05 7X28-D233 7228-D333 7876-D830	137	10
RW-NS507	PLATINA 02-09 CLIO 01-05 71X4-F051	137	11
RW-NS528	TIIDA 07- 7Y93-F302	137	12
RW-NS500B	TSURU I 84-87 TSURU II 88-91 HIKARI 88-91 7155-D233	137	13
RW-NS500	TSURU III 92-11 DISCO VENTILADO 7389-D510	137	14
RW-NS500A	TSURU III 92-11 TSUBAME 92-01 LUCINO 96-98 DISCO SOLIDO 7389-D510	137	15
RW-NS524	URVAN 02-09 776X-F198	137	16
RW-NS506	XTERRA 00-03 FRONTIER 03-05 7703-D830	138	17
RW-NS518	XTRAIL 01-05 7566-D91	138	18

DISCO TRASERA

CODIGO	APLICACION		
RW-NS514	SENTRA 00-01 7533-D540 7421-D540	138	19
RW-NS519	XTRAIL 02-09 MURANO 03-06 QUEST 04-09 7784-D905	138	20

DISCO DELANTERO

RENAULT

CODIGO	APLICACION		
RW-NS807	MEGANE 01-05 CLIO SPORT 01-09 SCENIC 01-04 7Y01-F207	138	21

KIT PARA FRENO



Friction Premium

DISCO DELANTERO

VOLKSWAGEN

CODIGO	APLICACION		
RW-VW101	ATLANTIC CARIBE 77-85 7031-D96	139	22
RW-VW106	CORDOBA IBIZA POLO 04-07 7Y08-F221	139	23
RW-VW100	GOLF JETTA 89-96 DERBY CORSAR SEAT LEON TOLEDO 02-04	139	24
RW-VW104	GOLF JETTA PASSAT 99-05 BEETLE 99-05	139	25
RW-VW103	GOLF JETTA A3 A4 LEON TOLEDO DERBY	139	26
RW-VW105	POINTER 99-07 77X7-D350	139	27

DISCO TRASERA

VOLKSWAGEN

CODIGO	APLICACION		
RW-VW103	GOLF JETTA A3 A4 LEON TOLEDO DERBY	139	28
RW-VW102	GOLF JETTA 97-05 DERBY TOLEDO CORDOBA IBIZA	139	29

KIT PARA FRENO



Friction Premium

DISCO DELANTERO

CHRYSLER

RW-CR604

1



RW-CR604B

2



RW-CR604A

3



RW-CR604C

4



DISCO TRASERA

RW-CR442

5



KIT PARA FRENO



Friction Premium

DISCO DELANTERO

GENERAL MOTORS



DISCO DELANTERO

NISSAN



KIT PARA FRENO



Friction Premium

DISCO DELANTERO

NISSAN

RW-NS506

17



RW-NS518

18



DISCO TRASERA

NISSAN

RW-NS514

19



RW-NS519

20



DISCO DELANTERA

RENAULT

RW-NS807

21



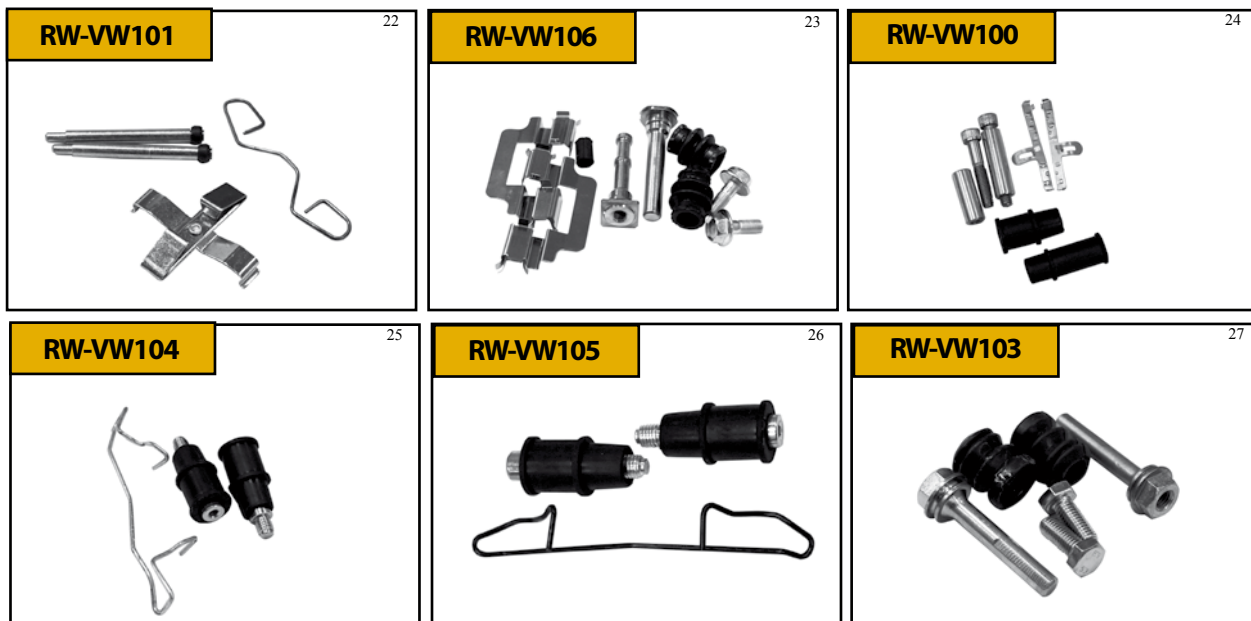
KIT PARA FRENO

DISCO DELANTERO

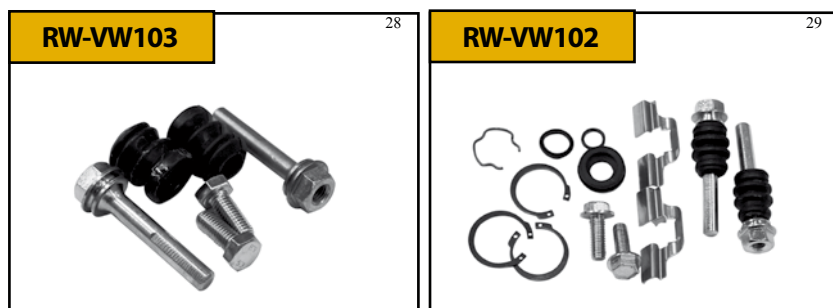


Friction Premium

VOLKSWAGEN



DISCO TRASERA





Friction Premium

LIGAS CALIPER



SEGURIDAD EN TU CAMINO



Friction Premium

LIGAS CALIPER



Friction Premium

DELANTERO

CHRYSLER

CODIGO	APLICACION		
CP-2725CR	ATOS 01-07 50.8 MM 2" LC2725	146	1
CP-CR2043	DURANGO 03-06 CALIPER DOBLE PISTON 54.0 MM 2-1/8" LC2043	146	2
CP-CR2045	GRAND CHEROKEE 99-02 DOBLE PISTON TRAS GRAND CHEROKEE 99-05 48.0 MM 1-5/8" LC2045	146	3
CP-CR2152	GRAND VOYAGER 01-06, TOWN & COUNTRY 01-07 VOYAGER 01-07 64.0 MM LC2152 EGP	146	4
CP-1473CR	LIBERTY 02-08 CHEROKEE 98-01 HUMMER 96-01 66.7 MM 2-5/8" LC1473 EGP	146	5
CP-2033CR	RAM 3500 4000 94-99 GM C30 35 92-00 C35 C3500 HD 96-00 86.1 MM 3-25/64" LC2033 EGP	146	6
CP-CR2154	RAM VAM 3500 RAM 4000 00-02 Y 05-06 CALIPER DOBLE PISTON.55.9 MM 2-13/64" LC2154	146	7
CP-2845CR	STRATUS 95-97 STRATUS R-14 95-00 STRATUS R-15 96-97 54.0 MM 2-1/8" LC2845 EGP	146	8

TRASERA

CODIGO	APLICACION		
CP-CR2473	DURANGO 03-06. RAM 1500 03-08. RAM VAN 1500 2500 5 4.0 MM 2-1/8" LC2473 EGP	146	9
CP-118265CR	NEON 95-05 PHANTOM 90-94 SPIRIT 91-95 STRATUS 96-06 34.1 MM 1-11/32" LC118265 EGP	146	10

DELANTERO

FORD

CODIGO	APLICACION		
CP-2844FD	CONTOUR 96-00 ESCAPE 01-06 MYSTIQUE 95-00 MARINER 05 60.0 MM LC2844 EGP	147	11
CP-1565FD	EXPLORER 91-94 AEROSTAR 91-95 BRONCO 84-90 RANGER 83-94 66.7 MM 2-5/8" LC1565 EGP	147	12
CP-2857FD	EXPLORER 95-02 RANGER 96-07 GM EQUINOX 05-07 DOBLE PISTON 46.0MM 1-13/16" EGP	147	13
CP-76090FD	F100 73-79 F-150 90-91 P-350 MICROBUS 77-78 73.0 MM 2-7/8" LC76090 EGP	147	14
CP-FD1838	F150 92-93 E-150 95-04 E-150 95-07 E-350 97-98 73.8 MM 2-29/32" LC1838 EGP	147	15
CP-88562SFD	F350 76-92 F200 86-91 P350 89-91 DEL 55MM 2-3/16" EGP	147	16
CP-88562D	F350 76-92 F200 86-91 P350 89-91 DEL 55MM 2-3/16" EGP	147	17

TRASERA

CODIGO	APLICACION		
CP-FD2477	GRAND MARQUIS 98-02 LINCOLN TOWN CAR 92-02 48.0MM 1-5/8 64 EGP LC2477 EGP	147	18
CP-FD2827	LOBO 250 99-04 EXPEDICIÓN 97-02, F-150 97-04 F-250 97-02 50.8 MM 2" LC2827	147	19

LIGAS CALIPER



Friction Premium

DELANTERO

GENERAL MOTORS

CODIGO	APLICACION		
CP-2005GM	BLAZER 92-94 SILVERADO 1500 2500 3500 96-06 SUBURBAN 88-06 DEL 74.6MM 2-15 16 EGP	148	20
CP-2110GM	C-30 35 88-95 G-30 97-02 EXPRESS CARGO VAN 3500 97-02 80.2 MM 3-5/32" LC2110 EGP	148	21
CP-GM124	CHEVY C2 VW GOLF JETTA A2 A3 CORSA 85-88 DERBY 95-00 DEL 48MM 1-57 64 EGP LC124 EGP	148	22
CP-1562GM	GEO TRACKER 93-95, 98-06 48.0 MM 1-57/64" LC1562 EGP	148	23

TRASERA

CODIGO	APLICACION		
CP-GM83297	C30 35 71-89 96-00 MICROBUS 88-00 PANEL 30 82-98 85.7 MM 3-3/8" LC83297 EGP	148	24
CP-GM2159	SILVERADO 1500 2500 3500 03-06 SILVERADO 3500 HD 96-06 00-06 50.8 MM 2" LC2159 EGP	148	25

DELANTERO

HONDA

CODIGO	APLICACION		
UB39-49-240	B2000 B2200 86- JUEGO DOBLE PISTON C/ LUBRICANTE.	149	26

DELANTERO

MAZDA

CODIGO	APLICACION		
UB39-49-240	B2000 B2200 86- JUEGO DOBLE PISTON C/ LUBRICANTE.	149	27

LIGAS CALIPER



Friction Premium

DELANTERO

NISSAN

CODIGO	APLICACION		
41120-Y4025	4 X 4 86-95 JUEGO	149	28
CP-1800NS	D21 92-00 CALIPER DOBLE PISTON INFINITI 94-96 42.8 MM 1-11/16" LC1800	149	29
CP-1668NS	PATHFINDER 97-98 D-21 92-07 KING CAB 95-00 URVAN 00-01 42.8 MM 1-11/16" LC1668	149	30
CP-642NS	PICK UP D-21 92-03. PICK-UP DOBLE CABINA 82-00 60.3 MM 2-3/8" LC642	149	31
CP-643NS	SENTRA LUCINO 1.6 LTS 96-00 MITSUBISHI LANCER 04-08 54.0 MM 2-1/8" LC643	149	32
CP-641NS	TSURU I II III TSUBAME 84-08 TRAS GM BLAZER 02-06 48MM 1-57 64 NIKKO LC641	149	33
41120-VW025	URVAN KA24DE 02-05 JGO 2 RDA C/GUARDAPOLVO TORNILLO CALIPER REF LC2486 NIKKO	150	34
41120-09W26	Z24 JUEGO	150	35

DELANTERO

TOYOTA

CODIGO	APLICACION		
04479-30021	22R 88-96 JUEGO	150	36
04479-22010	22R JUEGO	150	37
04479-30030	HILUX 04-08 JUEGO C/LUBRICANTE.	150	38

DELANTERO

VOLKSWAGEN

CODIGO	APLICACION		
CP-VW102443	POINTER 98-04 CR DEL DART "K" 82-88 NEON 95-05 SHADOW 89-94 54.0 MM 2-1/8"	150	39
CP-1449VW	BEETLE 2.0 98-04 GOLF JETTA A4 00-03 POLO 03-07 CROSS FOX 07-09 54.00 MM 2-1/8"	150	40
CP-2901VW	POINTER 98-02 POINTER CITY 00-02 POINTER PICK UP 99-07 48.0 MM 1-57/64" EGP	150	41

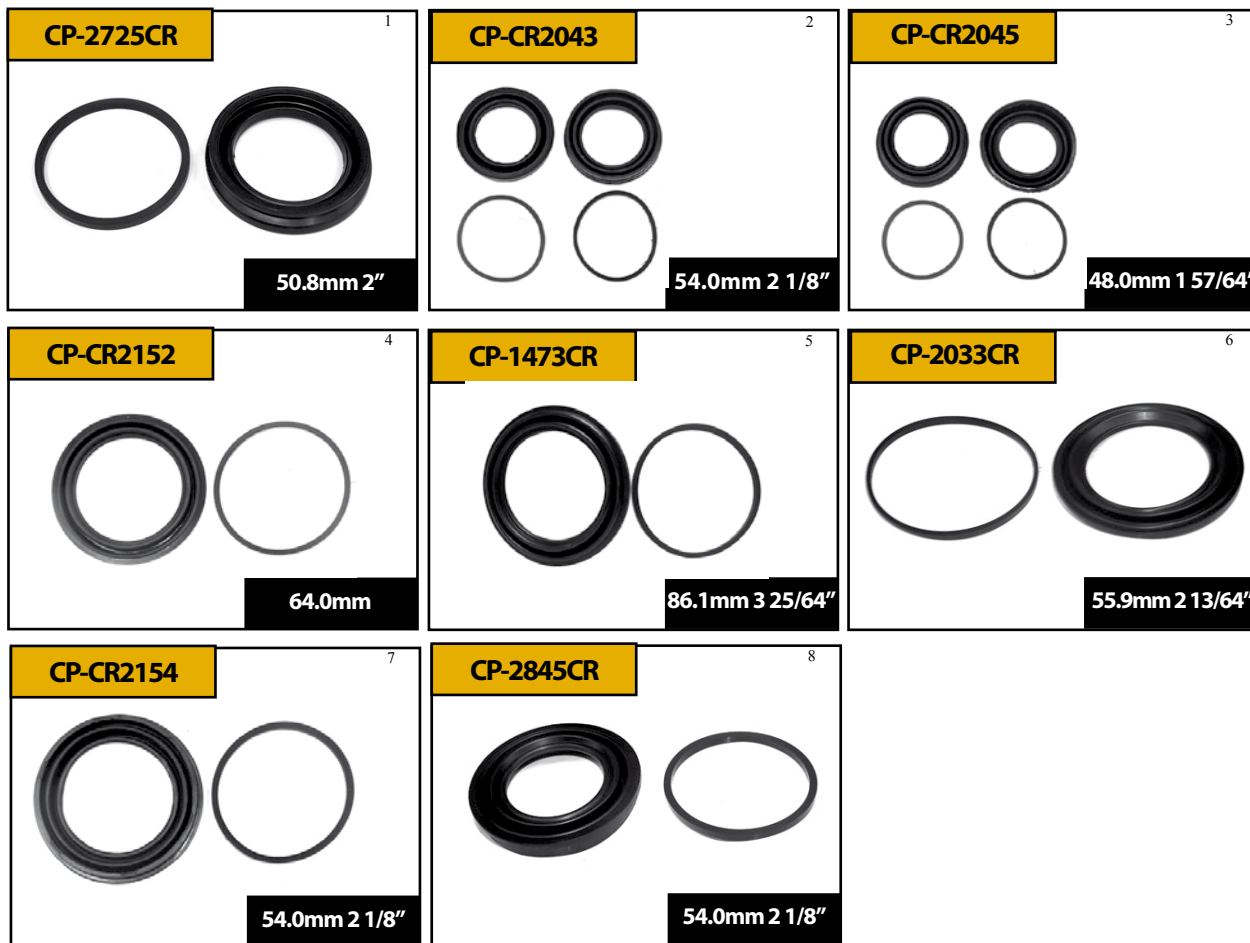
LIGAS CALIPER



Friction Premium

DELANTERO

CHRYSLER



TRASERA



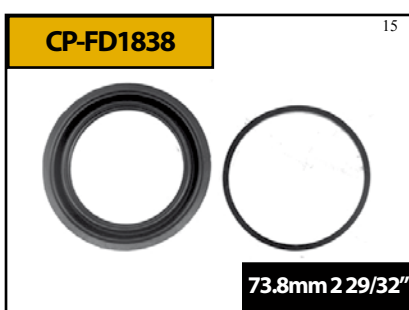
LIGAS CALIPER

DELANTERO



Friction Premium

FORD



TRASERA



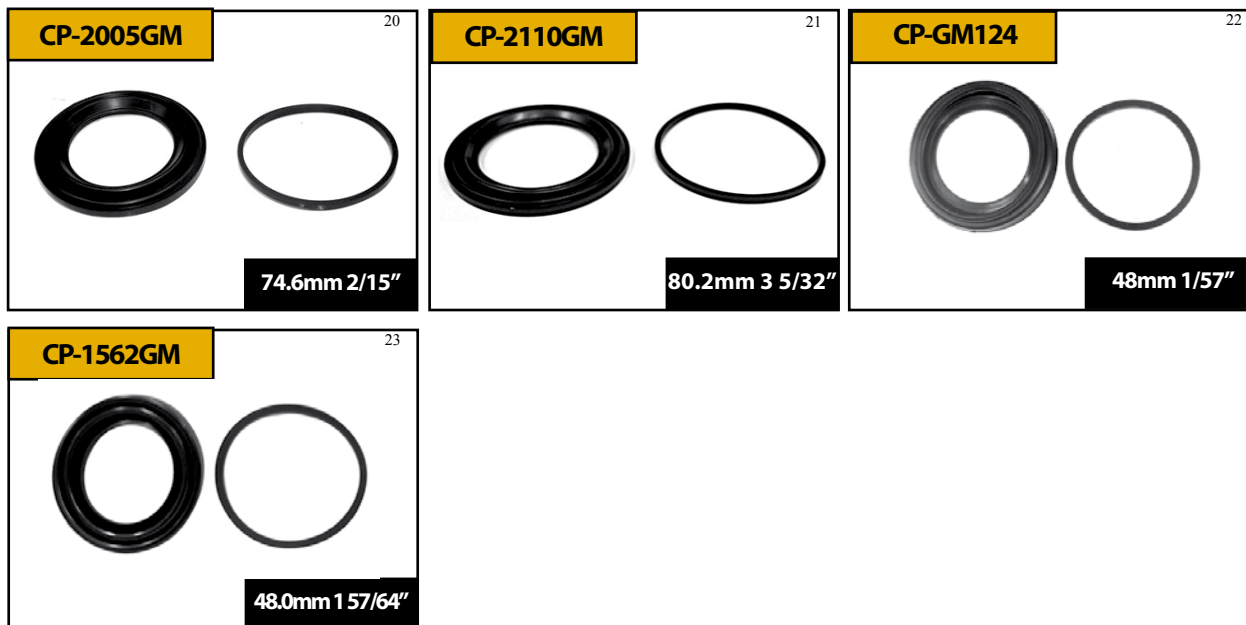
LIGAS CALIPER

DELANTERO

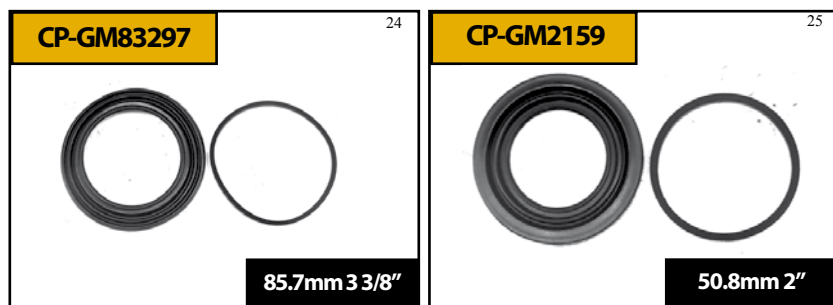


Friction Premium

GENERAL MOTORS



TRASERA



LIGAS CALIPER

DELANTERO



Friction Premium

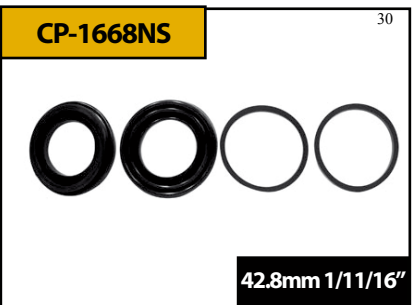
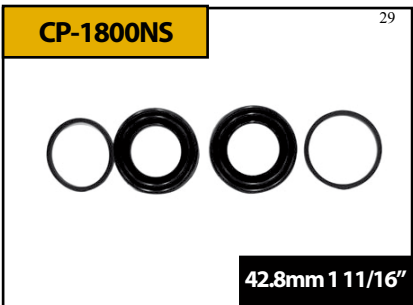
HONDA



MAZDA



NISSAN



LIGAS CALIPER



Friction Premium

DELANTERO

NISSAN

41120-VW025

34



41120-09W26

35



TOYOTA

04479-30021

36



04479-22010

37



04479-30030

38



VOLKSWAGEN

CP-VW102443

39



54.0mm 2 1/8"

CP-1449VW

40



54.0mm 2 1/8"

CP-2901VW

41



48.0mm 1 57/64"



Friction Premium

PISTON CALIPER CON LIGAS



SEGURIDAD EN TU CAMINO



Friction Premium

PISTON CALIPER



Friction Premium

DELANTERO

CHRYSLER

CODIGO	APLICACION		
BP-CR212W	HYUNDAI ATTITUDE 06-07 ACCENT 06-07 53.86mm 47.25mm 851067 FP	178	1
BP-CR212X	NITRO 07 JEEP WRANGLER 07 65.86mm 53.57mm FP	178	2
BP-CR212S	PACIFICA 04-06 47.89mm 49.67mm FP	178	3

TRASERA

CODIGO	APLICACION		
BP-CR212R	LIBERTY 02-06 47.87mm 47.25mm 85438 FP	178	4
BP-CR213T	NITRO 07 JEEP LIBERTY 08- WRANGLER 07 47.94mm 49.53mm FP	178	5
BP-CR213K	PACIFICA 04-06 41.99mm 52.46mm FP	178	6

DELANTERO

FORD

CODIGO	APLICACION		
BP-FD208B	ECONOLINE E250 E350 92-05 56.00mm 62.00mm FP	178	7
BP-FD208M	EXPEDITION 07- NAVIGATOR 07- 56.90mm 50.56mm FP	178	8
BP-FD208R	EXPEDITION 03-06 NAVIGATOR 03-06 52.00mm.56.00mm 850790 FP	178	9
BP-FD210S	ECONOLINE E150 E250 04-05 53.90mm 52.00mm FP	179	10
BP-FD210W	ECONOLINE, CLUB WAGON 04-05 44.80mm 47.43mm FP	179	11
BP-FD208L	EXPLORER 06-07 EXPLORER SPORT TRAC 06-07 50.62mm 50.93mm FP	179	12
BP-FD208G	F150 04-07 FORD LOBO 04-07 50.99mm 56.45mm FP	179	13
BP-FD208K	FIVE HUNDRED 05-07 44.97mm 52.80mm FP	179	14
BP-FD208J	FREESTAR 04-07 50.99mm 53.47mm 85242 FP	179	15

TRASERA

CODIGO	APLICACION		
BP-FD208N	E250, E350 99-07 44.83mm 47.46mm FP	179	16
BP-FD208R	EXPEDITION 03-06 NAVIGATOR 03-06 52.00mm.56.00mm 850790 FP	179	17
BP-FD210T	ECONOLINE E150, E-250 04-05 53.88mm 52.14mm FP	179	18

PISTON CALIPER



Friction Premium

DELANTERO

GENERAL MOTORS

CODIGO	APLICACION		
BP-GM211H	ASTRA ABS 00-07 ZAFIRA 02-07 59.88mm 57.00mm 850400 FP	180	19
BP-GM211P	EQUINOX 04-07 42.00mm 45.45mm 85857 FP	180	20
BP-GM216R	KODIAK SERIE C7 03-05 59.88mm 59.00mm 85081 FP	180	21
BP-GM216S	KODIAK SERIE C7 03-06 65.86mm 60.50mm FP	180	22
BP-GM216U	MATIZ 05-07 47.93mm 48.50mm 85496 FP	180	23
BP-GM2160	SILVERADO 88-97 216C BALATA 7259	180	24

TRASERA

CODIGO	APLICACION		
BP-GM216R	KODIAK SERIE C7 03-05 59.88mm 59.00mm 85081 FP	180	25
BP-GM216S	KODIAK SERIE C7 03-06 65.86mm 60.50mm FP	180	26

DELANTERO

HONDA

CODIGO	APLICACION		
BP-HO209T	ACCORD 4CIL. 03-06 57.00mm 47.45mm FP	181	27
BP-HO2100	CIVIC 96-06 57.02mm 54.48mm FP	181	28
BP-HO209Z	CRV 02-06 57.00mm 47.60mm 851340 FP	181	29
BP-HO2105	ODYSSEY 99-04 64.22mm 51.75mm 85135 FP	181	30
BP-HO2102	PILOT 03-07 62.37mm 48.45mm 853220 FP	181	31

DELANTERO

MAZDA

CODIGO	APLICACION		
BP-MZ209A	B2000 B2200 PICK UP 86-93 D209A BALATA 7220	181	32

PISTON CALIPER



Friction Premium

DELANTERO

NISSAN

CODIGO	APLICACION		
BP-NS207M	ALMERA 01-07 57.15mm 49.90mm 85218 FP	182	33
BP-NS207G	PATHFINDER 96-04 44.33mm 52.50mm 85216 FP	182	34
BP-NS207J	TIIDA 07 53.86mm 47.00mm FP	182	35
BP-NS207I	X-TRAIL 01-07 NISSAN QUEST 04-07 44.35mm 52.00mm FP	182	36

TRASERA

CODIGO	APLICACION		
BP-NS207J	X-TRAIL 02-06 34.80mm 45.00mm 851470 FP	182	37

DELANTERO

PEUGEOT

CODIGO	APLICACION		
BP-PG209P	206 00-07 47.97mm 50.50mm FP	183	38
BP-PG209X	PARTNER 04-05 54.00mm 53.50mm FP	183	39

DELANTERO

RENAULT

CODIGO	APLICACION		
BP-NS209W	KANGOO 05 54.00mm 50.00mm FP	183	40
BP-NS209N	MEGANE 01-05 RENAULT SCENIC 01-04 53.93mm 53.50mm 85860 FP	183	41

DELANTERO

TOYOTA

CODIGO	APLICACION		
BP-TY209I	HIACE, HILUX 89-02 60.26mm 48.50mm FP	183	42

PISTON CALIPER



Friction Premium

DELANTERO

CHRYSLER



TRASERA



DELANTERO

FORD



PISTON CALIPER



Friction Premium

DELANTERO

FORD



TRASERA



PISTON CALIPER

DELANTERO



Friction Premium

GENERAL MOTORS



TRASERA



PISTON CALIPER

DELANTERO



Friction Premium

HONDA



DELANTERO

MAZDA



PISTON CALIPER



Friction Premium

DELANTERO

NISSAN

BP-NS207M

33



57.15mm 49.90mm

BP-NS207G

34



44.33mm 52.50mm

BP-NS207U

35



53.86mm 47.00mm

BP-NS207I

36



44.35mm 52.00mm

TRASERA

BP-NS207J

37



34.80mm 45.00mm

PISTON CALIPER



Friction Premium

DELANTERO

PEUGEOT



DELANTERO

RENAULT



DELANTERO

TOYOTA





Friction Premium

PISTONES



SEGURIDAD EN TU CAMINO



Friction Premium

PISTON FRENO



Friction Premium

DELANTERO

CHRYSLER

CODIGO	APLICACION		
BP-FD115614	DAKOTA 96 FORD TAURUS 88-91 65.9 MM 2-19/32" HO212K ALUMINIO	167	1
BP-CR850390	DURANGO 03-06 CALIPER DOBLE PISTON 54.0 MM 2-1/8" ALUMINIO	167	2
BP-CR850460	GRAND CHEROKEE 99-05 DOBLE PISTON 1-7/8" ALUMINIO	167	3
BP-CR85152	GRAND VOYAGER 01-06 TOWN&COUNTRY 01-07 VOYAGER 01-07 HO212F ALUMINIO	167	4
BP-CR85076	GRAND VOYAGER 84-93 RIN 14" USA. DELANTERO 60.3 MM 2-3/8" HO213	167	5
BP-CR108159	GRAND VOYAGER 91-00 TOWN&COUNTRY 93-00 FORD TOPAZ 84-94 HO217A ALUMINIO	167	6
BP-CR850450	GRAND CHEROKEE 99-02 TRAS GRAND CHEROKEE 99-05 1-57/64" ALUMINIO	167	7
BP-CR85157	RAM 1500 2500 94-00 SUBURBAN 88-06 SILVERADO 01-06 74.6MM ALUMINIO	167	8
BP-CR76026	RAM CHARGER 99 RAM1500 94-00 RAM 2500 91-00 RAM V10 96-97 HO211D ALUMINIO	167	9
BP-CR85469	STRATUS 95-97 STRATUS R14 95-00 STRATUS R15 96-97 2-1/8" HO213E ALUMINIO	167	10
BP-CR85392	TOWN&COUNTRY 01-07 GRAND CHEROKEE 93-98 WRANGLER 93-06 HO212D ALUMINIO	167	11
BP-HY212L	VERNA 04-06 MITSUBISHI LANCER 04-08 SENTRA 1.6 LTS 96-00 TSURU 2000	167	12

TRASERA

CODIGO	APLICACION		
BP-CR850450	GRAND CHEROKEE 99-02 TRAS GRAND CHEROKEE 99-05 1-57/64" ALUMINIO	168	13
BP-CR85456	LIBERTY 03-08 GRAN CHEROKEE 95-98 FORD EXPLORER V6 V8 95-09 212C ALUMINIO	168	14
BP-CR107534	NEON 95-05 SHADOW 89-94 SPIRIT 90-95 TRAS RAM1500 03-06 2500 03-04 ALUMINIO	168	15
BP-CR850020	VOYAGER 01-07 42.0 MM	168	16

DELANTERO

FORD

CODIGO	APLICACION		
BP-FD85019	CLUB WAGON V6 E150 95-03 V8 E-250 97-04 E-150 95-07 F150 94-99 ALUMINIO	168	17
BP-FD85030	CLUB WAGON V8 E-250 95-96 E-350 99-06 E-250 97-99 DOBLE PISTON HO212N	168	18
BP-FD85812	ECOSPORT 04-08 KA COURIER 01-08 FIESTA 98-08 7259-D649 HO210J ALUMINIO	168	19
BP-FD85800	ESCAPE 01-06 CONTOUR 96-00 MYSTIQUE 95-00 MARINER 05 HO210I ALUMINIO	168	20
BP-FD85815	EXCURSION 01-05 F250 350 SUPER DUTY 99-04 DOBLE PISTON HO208C ALUMINIO	168	21
BP-FD85826	EXPEDITION 97-02 NAVIGATOR 98-02 DOBLE 50.8MM 2" HO210F ALUMINIO	168	22
BP-FD85055	EXPLORER AEROSTAR 91-95 EXPLORER V6 V8 91-94. 66.7 MM 2-5/8" HO210L ALUMINIO	169	23
BP-FD85857	EXPLORER V6 V8 95-02 RANGER 96-07 GM EQUINOX 05-07 D/PISTON 208E ALUMINIO	169	24
BP-FD85491	EXPLORER V6 V8 95-09 LINCOLN AVIATOR 03-05 1-57/64" HO210R ALUMINIO	169	25
BP-FD76024	F150 90-93 F200 86 F100 73-79 P350 MICROBUS 77-78 2-7/8" HO210 ALUMINIO	169	26
BP-FD85817	F-150 97-04. 48.0 MM 1-57/64" HO210C ALUMINIO	169	27
BP-FD85013	F150 97-99 LOBO 150 99-04 F250 SUPER DUTY 03-04 D/PISTON HO208H ALUMINIO	169	28
BP-FD99980	F250 92-94 F350 93-94 P35 MICROBUS 89-95 F350 73-92 76-91 2-3/16" HO208	169	29
BP-FD85477	GRAND MARQUIS 98-04 TOWN CAR 98-07 F150 97-04 D/PISTON HO210B ALUMINIO	169	30
BP-FD85814	WINDSTAR 99-03. DOBLE PISTON 48.0 MM 1-57/64" HO210H ALUMINIO	169	31

PISTON FRENO



Friction Premium

TRASERA

FORD

CODIGO	APLICACION		
BP-FD85155	E350 06-07 E250 350 95-96 DEL TRAS F450 V8 SUPER DUTY 97-02 HO210K	169	32
BP-FD85827	EXPEDITION 97-02 F150 250 97-04 LOBO 150 250 97-04 50.8 MM 2" ALUMINO	169	33

DELANTERO

GENERAL MOTORS

CODIGO	APLICACION		
BP-GM76008	BLAZER NEVADA 91 C15 82-87 SUBURBAN 87-88. 74.6 MM 2-15/16" HO211	170	34
BP-GM76028	C30 35 96-00 MICROBUS 88-00 PANEL 30 82-98 TRAS C30 96-00 HO216 ALUMINO	170	35
BP-GM832	CHEVY JOY SWING POP 94-03 MONZA 97-03 C2 04-07 C2 SEDAN 05-07 HO216B	170	36
BP-GM76026	RAM CHARGER 86-96 RAM VAN 1500 2500 3500 95-97 78.6 MM 3-3/32"	170	37
BP-GM85110	SUBURBAN 1500 04-06 SONORA 00-06 DOBLE PISTON LC851110 1-3/4" ALUMINIO	170	38
BP-GM76033	UPLANDER 05-09 BLAZER 95-97 EUROSPOORT 90-96 S10 95-04 2-1/2" HO211A	170	39

DELANTERO

NISSAN

CODIGO	APLICACION		
41121-5B600	B15 B16 NIKKO	170	40
41121-05N00	PICK UP D22 08- NIKKO	170	41
BP-NS96542	PICK UP D-21 92-03 DOBLE CABINA 82-00 CORTO 90-0 2-3/8" LC85137	170	42
BP-NS85137	PICK UP D21 92-03 DOBLE CABINA 82-00 CORTO 90-00 2-3/8" 207A ALUMINIO	170	43
41121-AX000	TIIDA 07-08 HONDA CIVIC EX SI 97-06 2-1/8" LC85402 HO207U	170	44
BP-NS6000	TSURU I 84-87 TSURU II 88-92 TSURU III 93-06 HO207B ALUMINIO	170	45
BP-NS85177	URVAN 00-01 D21 92-07.ESTAQUITAS 72-03 D/PISTON 1-11/16" 207D ALUMINIO	171	46
41121-VW001	URVAN 00-10 QUEST V6 305 L 04-09 DOBLE PISTON 1-7/8" LC85486 ALUMINO	171	47

DELANTERO

VOLKSWAGEN

CODIGO	APLICACION		
BP-VW96363	BRASILIA 74-82 SEDAN 95-04.40.0 MM HO214 ALUMINIO	171	48
BP-VW96373	COMBI PANEL 73-01 54MM ALUMINIO	171	49

PISTON FRENO

DELANTERO



Friction Premium

CRHYSLER

<p>BP-FD115614</p>   <p>2-19/32"</p>	<p>BP-CR850390</p>  <p>2-1/8"</p>	<p>BP-CR850460</p>  <p>1-7/8"</p>
<p>BP-CR85152</p>   <p>64.0mm</p>	<p>BP-CR85076</p>  <p>2-3/8"</p>	<p>BP-CR108159</p>   <p>60.0mm</p>
<p>BP-CR850450</p>  <p>1-57/64</p>	<p>BP-CR85157</p>  <p>74.6mm</p>	<p>BP-CR76026</p>  <p>33/32"</p>
<p>BP-CR85469</p>   <p>2-1/8"</p>	<p>BP-CR85392</p>   <p>66.0mm</p>	<p>BP-HY212L</p>  <p></p>

PISTON FRENO



Friction Premium

TRASERA

CRHYSLER



DELANTERA

FORD







PISTON FRENO




Friction Premium

DELANTERO

FORD

BP-FD85055 23  66.7 mm 2-5/8"	BP-FD85857 24  1-13/16"	BP-FD85491 25  1-57/64"
BP-FD76024 26  2-7/8"	BP-FD85817 27  1-57/64"	BP-FD85013 28  2"
BP-FD99980 29  2-3/16"	BP-FD85477 30  1-57/64"	BP-FD85814 31  48.0 mm 1-57/64"

TRASERA

BP-FD85155 32  2-11/32"	BP-FD85827 33  2"
---	---

PISTON FRENO



Friction Premium

DELANTERO

GENERAL MOTORS

<p>BP-GM76008 34</p>  <p>74.6mm 2-15/16"</p>	<p>BP-GM76028 35</p>  <p>3-3/8"</p>	<p>BP-GM832 36</p>  <p></p>
<p>BP-GM76026 37</p>  <p>78.6mm 3-3/32"</p>	<p>BP-GM85110 38</p>   <p>1-3/4"</p>	<p>BP-GM76033 39</p>  <p>2-1/2"</p>

DELANTERA

NISSAN

<p>41121-5B600 40</p>  <p></p>	<p>41121-05N00 41</p>  <p></p>	<p>BP-NS96542 42</p>   <p>2-3/8"</p>
<p>BP-NS85137 43</p>  <p>2-3/8"</p>	<p>41121-AX000 44</p>  <p>2-1/8"</p>	<p>BP-NS6000 45</p>  <p>2-1/2"</p>

PISTON FRENO

DELANTERO



Friction Premium

NISSAN

BP-NS85177

46



1-11/16"

41121-VW001

47



1-7/8"

DELANTERA

VOLKSWAGEN

BP-VW96363

48



40.0mm

BP-VW96373

49



54mm



Friction Premium

PRODUCTOS VARIOS



SEGURIDAD EN TU CAMINO



Friction Premium

VARIOS



Friction Premium

REPUESTO BOMBA

NISSAN

CODIGO	APLICACION		
46011-C7025	PICK UP 720 92-93	188	1
46011-50Y26	TSURU III 92-11	188	2

SEGURO BALATA DEL

NISSAN

CODIGO	APLICACION		
41080-VW0NK	URVAN 02-08.JGO NIKKO	188	3

TUERCA BIRLOS

NISSAN

CODIGO	APLICACION		
40224-21001	PICK UP 720 CONICA	188	4
40224-M7500	TSURU I III III CROMADA TODOS	188	5

VALVULA FRENO

VOLKSWAGEN

CODIGO	APLICACION		
176-612-151	GOLF JETTA A2 REPARTIDORA	189	6

VARIOS



Friction Premium

REPUESTO BOMBA

NISSAN

46011-C7025

1



46011-50Y26

2



SEGURO BALATA

NISSAN

41080-VW0NK

3



SEGURO BALATA

NISSAN

40224-M7500

4



40224-21001

5



VARIOS

VALVULA FRENO

VOLKSWAGEN



Friction Premium

176-612-151

6

